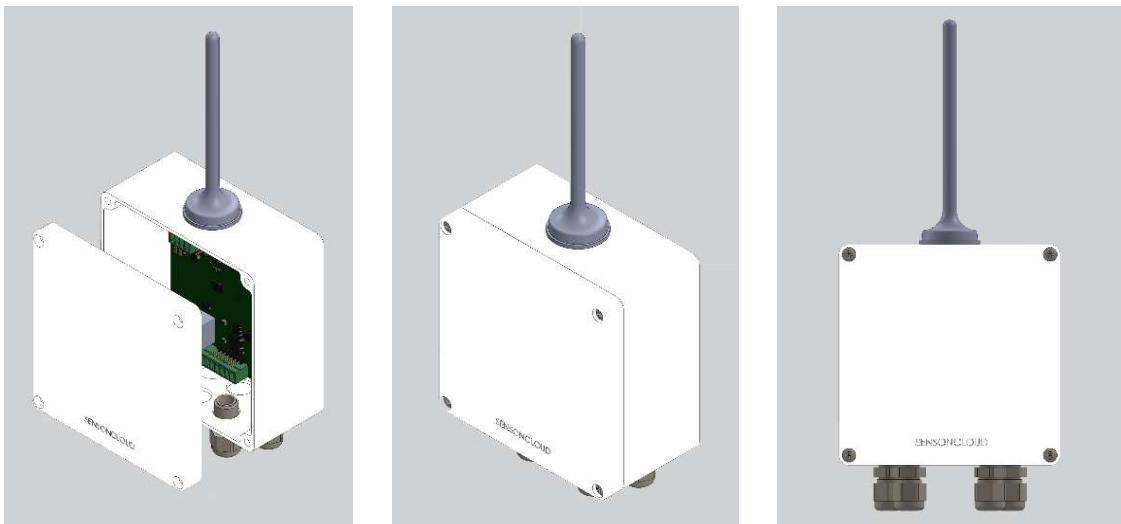


SENSONCLOUD

DESCRIPTION

SENSONCLOUD is one-stop solutions for engineer or anyone who demands “sensor data on the cloud” online. Now, project size does not matter. User can buy one set of a SENSONCLOUD from a store, plug-in the power supply, set up wifi and go online to monitor your data immediately. You can expand your projects whenever you want. No more sensors to I/O cabling, converters, controllers, software, gateways etc.

SENSONCLOUD converts any type of sensors with 4-20mA output and send its data to cloud. Once user setup wifi properly, the sensor data will be stored in the cloud servers continuously. User will be given an account to monitor it online, stored or download the CSV files for other purposes.



Appearance

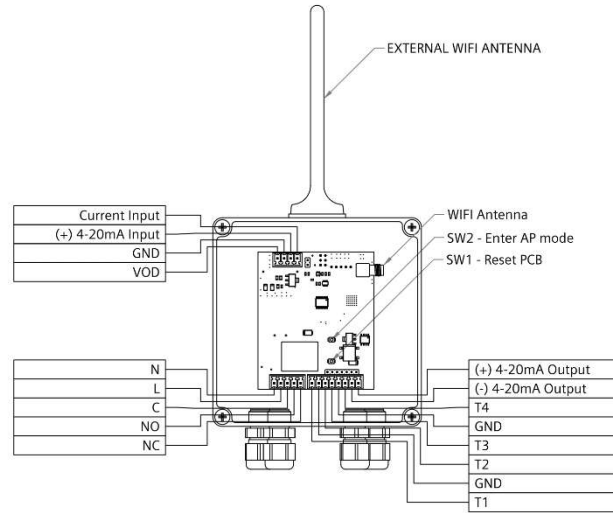
FEATURES

SENSONCLOUD:

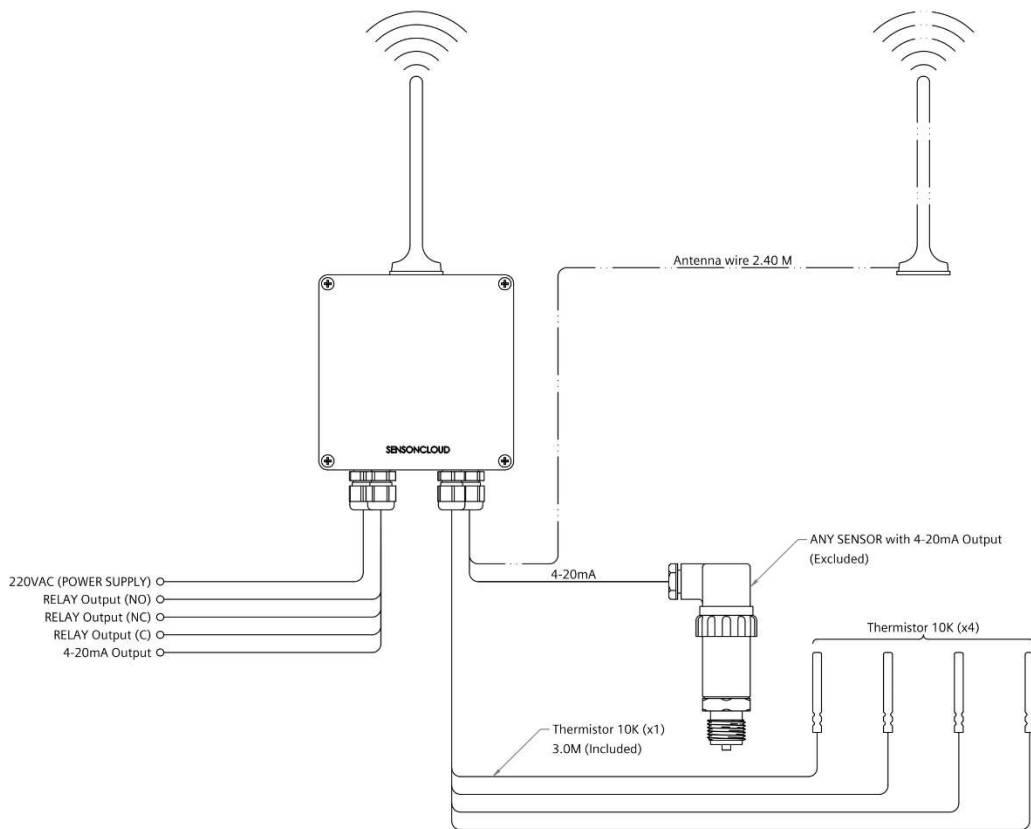
- Ready to use: The SOC-Eco, SOC-TRH, SOC-Basic modules can be setup, and operate in minutes.
- Modular design: All SOC models comes with 1 thermistor ready to use. All models can be fitted with any 4-20mA sensors.
- Removable antenna: The antenna can be placed on the case or anywhere within 3 meters from the module to engage with stronger wifi signal strength.
- IP 65 Enclosure makes the module installation suit with indoor/outdoor installation.
- For SOC-Pro model: The module can be customized with legacy firmware for special applications.

CLOUD:

- Lifetime free Cloud monitoring and free 3 years data storage
- Our cloud services use SSL protocol for data encryption and authentication to protect the confidentiality of transactions.
- We provide continuous update web server for computer, tablet and smartphone access.

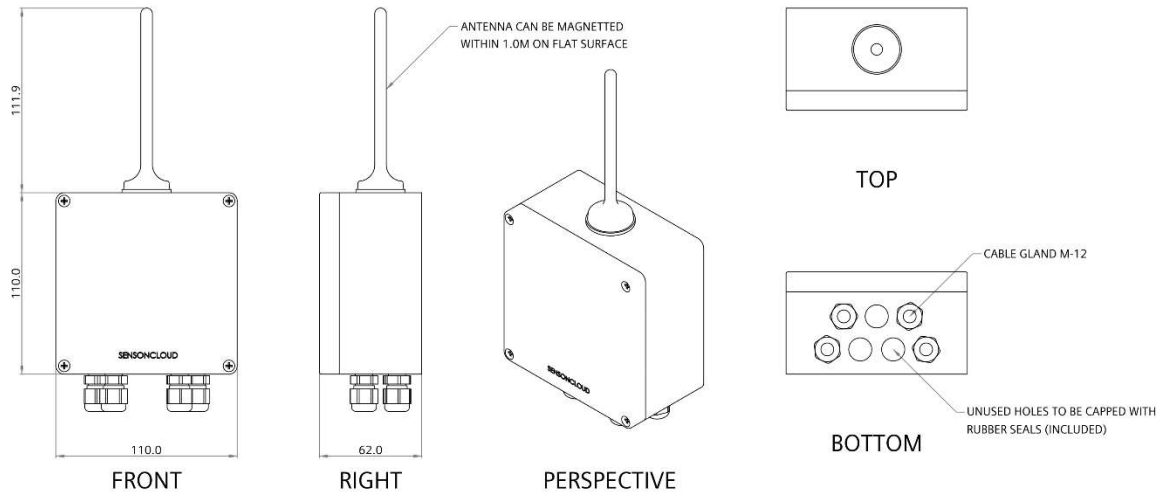


Internal Wiring Diagram



External Wiring Diagram

DIMENSIONS



TECHNICAL DATA

Supply Voltage	220VAC
Input Signal (depend on model)	(4) Thermistors, (1) 4-20 mA
Output Signal (depend on model)	(1) Relay, (1) 4-20 mA

ENVIRONMENTAL CONDITIONS

Ambient temperature range	0°C → +75°C, non-condenses
EMC - Emission	Not available
EMC - Immunity	Not available

PRODUCT SELECTION

MODEL	I/O	Qty	Type
SOC-Eco	DI	4	10K Thermistor (+/-1%) + DI combined
	AI	0	-
	DO	1	Relay 220V (or 5-220V external power) 2.0A
	AO	-	-
SOC-TRH	DI	1	10K Thermistor (+/-1%) + DI combined
	AI	1	On-board Humidity sensor (+/-2.5%)
	DO	1	Relay 220V (or 5-220V external power) 2.0A
	AO	-	-
SOC-Basics	DI	4	10K Thermistor (+/-1%) + DI combined
	AI	1	4-20mA
	DO	1	Relay 220V (or 5-220V external power) 2.0A
	AO	-	-
SOC-Pro	DI	4	10K Thermistor (+/-1%) + DI combined
	AI	1	4-20mA
	DO	1	Relay 220V (or 5-220V external power) 2.0A
	AO	1	4-20mA